

# Little GIANT®

## TE-7-MD-SC



### Features

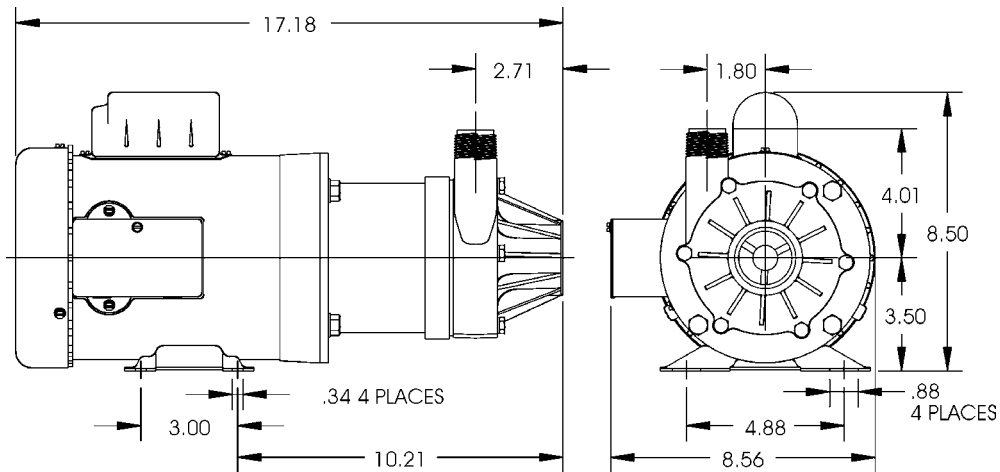
- Thermally protected, totally enclosed, fan cooled, split phase motor
- Ball bearings
- Conduit box (must be field wired)
- Specific gravity to 1.1
- Fluid temperature to 150°F
- Ambient air temperature to 77°F
- NOTE: Consult your local distributor or the factory for applications with higher ambient temperatures, specific gravities and viscosities.

### Construction

- Volute — Glass-filled polypropylene
- Backplate — Glass-filled Ryton®
- Impeller — Glass-filled polypropylene with carbon bushing
- Shaft — Ceramic
- Thrust Washers — Ceramic
- O-Ring — Viton®

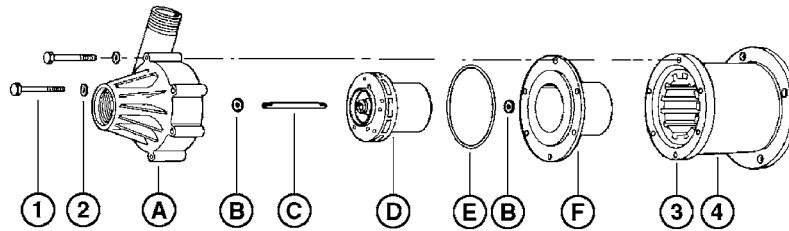
The Little Giant MD-SC series features seal-less magnetic drives and are designed for in-line, non-submersible use. Volute and impeller are glass-filled polypropylene for excellent chemical resistance. Ceramic shaft and thrust washers are 99.5% pure alumina for excellent wear and reliable service. Pumping heads are easily rotated, cleaned or serviced with no special tools required. Spindle shaft is supported at both ends to prevent impeller damage during start-up and stop of pump.

# TE-7-MD-SC



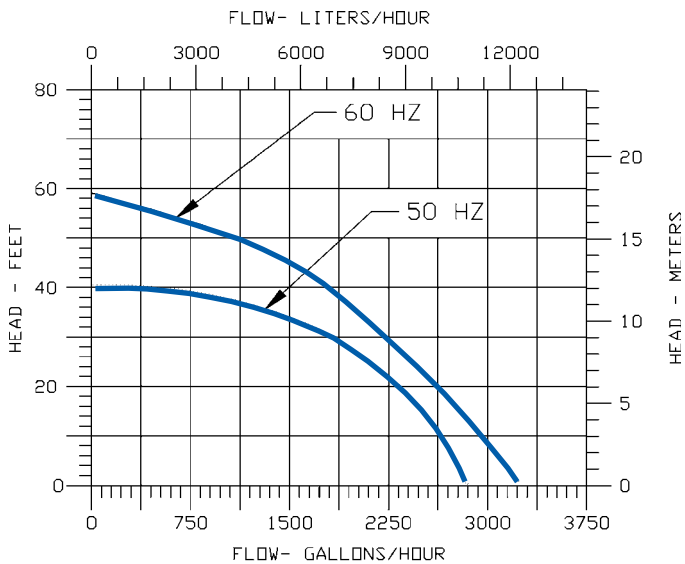
## Specifications

Model No.	Item No.	Intake	Discharge	Listing(s)	HP	Volts	Hz.	Amps	Watts	Performance (GPH@Head)					Shutoff		Cord Length (ft.)	Weight (lbs.)
										1'	10'	25'	40'	50'	Ft.	P.S.I.		
TE-7-MD-SC	587400	1-1/2" FNPT	1" MNPT	UR/C-CSA	3/4	115	50/60	10.4/11.8	1080/1230	3180	2800	2400	1850	1300	58.5	25.3	N/A	40.00
						230	50/60	5.2/5.9	1080/1230	3180	2800	2400	1850	1300				



## Replacement Parts

Item	Part No.	Description
A	187019	Volute
B	187085	Thrust Washer
C	187056	Shaft
D	187208	Impeller
E	924016	O-Ring
F	187023	Backplate
1	903712	Bolt
2	921050	Washer
3	187121	Drive Magnet
4	187073	Magnet Housing



PUMP PERFORMANCE CURVE

115/230V